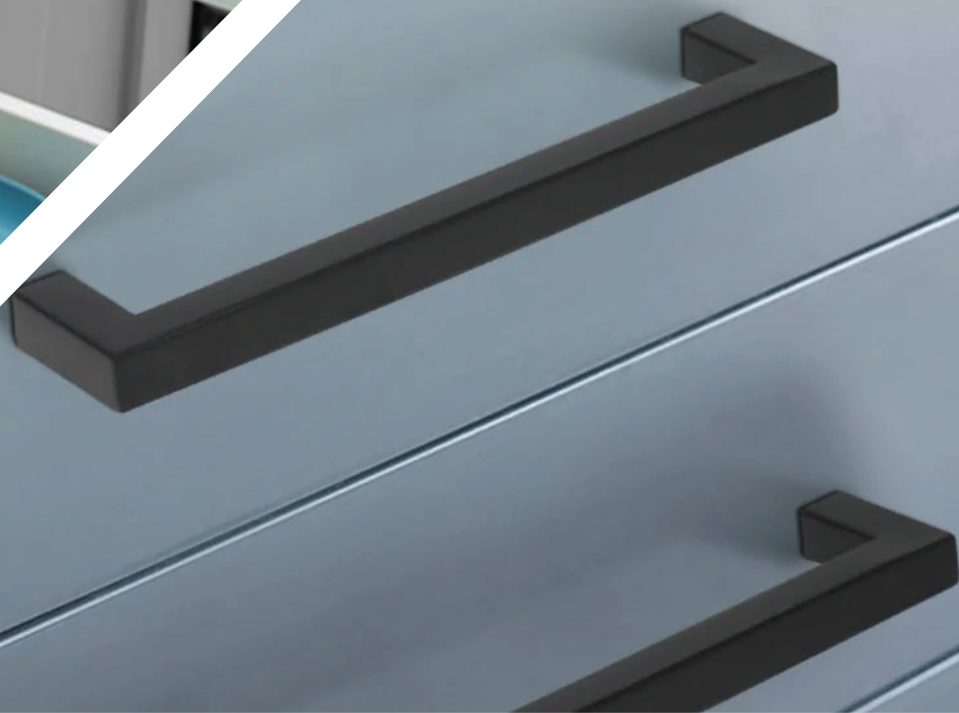




**FURNITURE
FITTINGS**

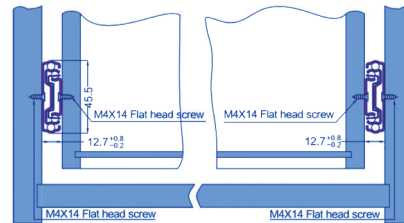


TUFFRO TFDS-45 IRON BUFFER 3 FOLD BALL BEARING DRAWER SLIDE



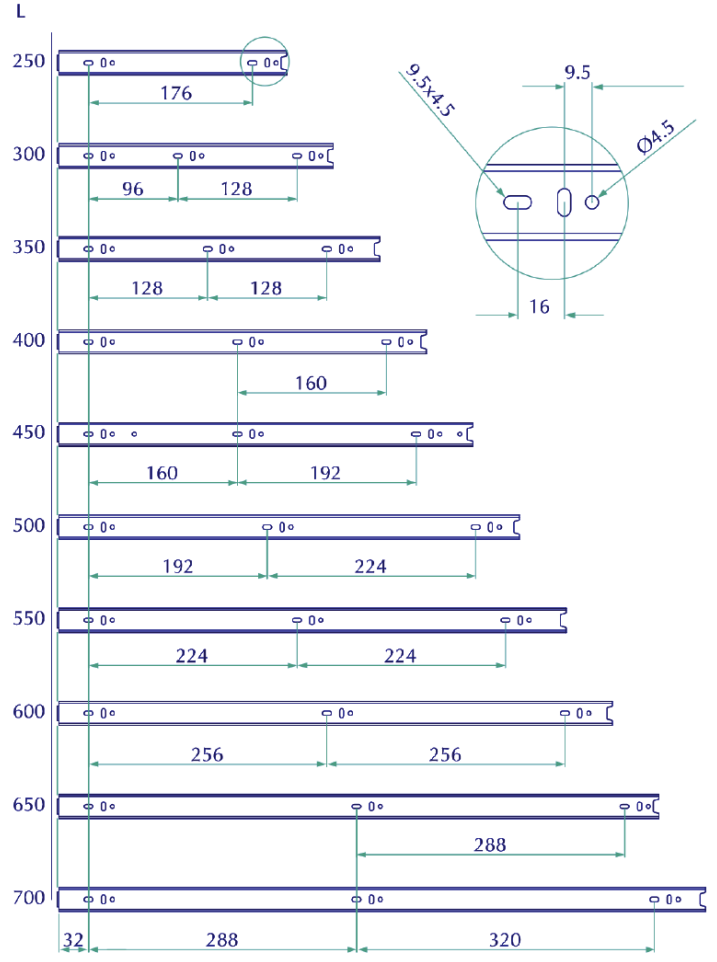
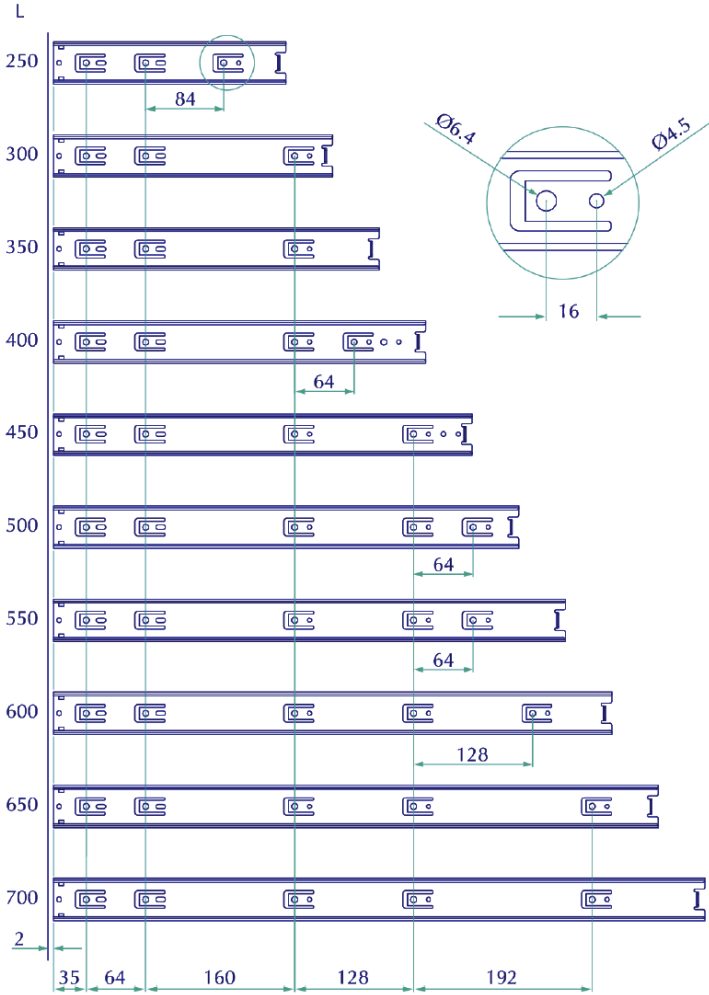
TECHNICAL DETAILS

WIDTH	: 45 MM
LENGTH	: 250MM-600MM
MATERIAL THICKNESS	: 1MM X 1MM X 1MM
LOAD CAPACITY	: 25 KG
CYCLING	: 50000

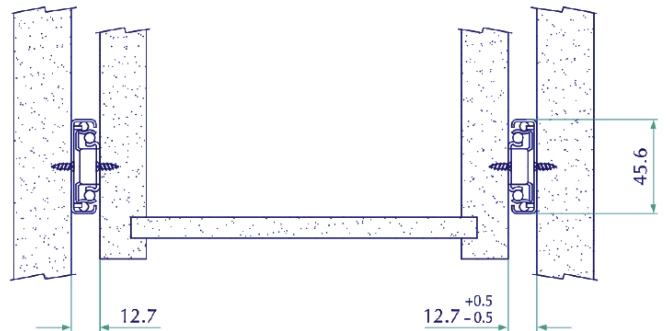
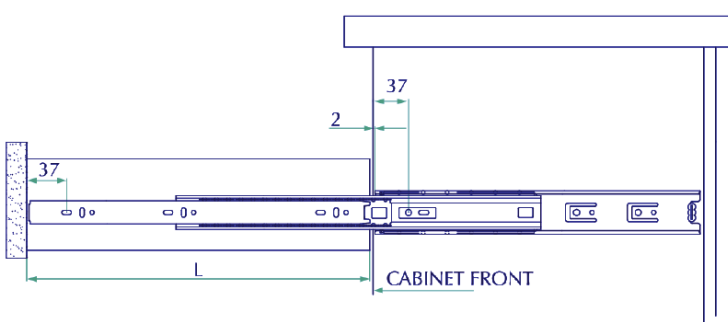
INSTALATION
SIDE MOUNT
FINISH
STAINLESS STEEL
MAIN MATERIAL
HIGHLY REFINED POLISHED


Model Number	Description	Size(mm)
TFDS-45-10	Drawer Slide -45mm full Extension soft closing ball bearing slide 1.0x1.0x1.0 load capacity= 20-25 kg	250
TFDS-45-12	Drawer Slide -45mm full Extension soft closing ball bearing slide 1.0x1.0x1.0 load capacity= 20-25 kg	300
TFDS-45-14	Drawer Slide -45mm full Extension soft closing ball bearing slide 1.0x1.0x1.0 load capacity= 20-25 kg	350
TFDS-45-16	Drawer Slide -45mm full Extension soft closing ball bearing slide 1.0x1.0x1.0 load capacity= 20-25 kg	400
TFDS-45-18	Drawer Slide -45mm full Extension soft closing ball bearing slide 1.0x1.0x1.0 load capacity= 20-25 kg	450
TFDS-45-20	Drawer Slide -45mm full Extension soft closing ball bearing slide 1.0x1.0x1.0 load capacity= 20-25 kg	500
TFDS-45-22	Drawer Slide -45mm full Extension soft closing ball bearing slide 1.0x1.0x1.0 load capacity= 20-25 kg	550
TFDS-45-24	Drawer Slide -45mm full Extension soft closing ball bearing slide 1.0x1.0x1.0 load capacity= 20-25 kg	600

SLIDE FIXING DIMENSIONS



Drawer mounting & dimensions



TFCH105-2D HYDRAULIC SOFT CLOSING HINGE, CLIP ON



**TFCH105-2D-A
FULL OVERLAY**

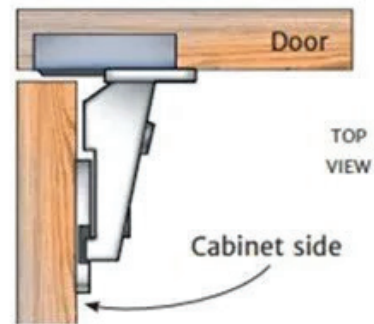


**TFCH105-2D-B
HALF OVERLAY**

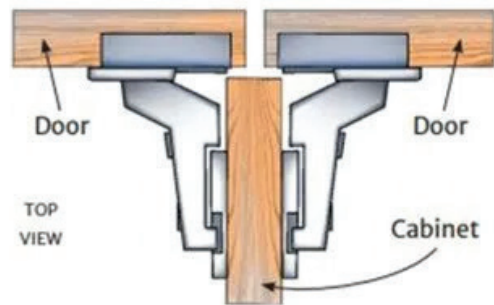


**TFCH105-2D-C
INSET**

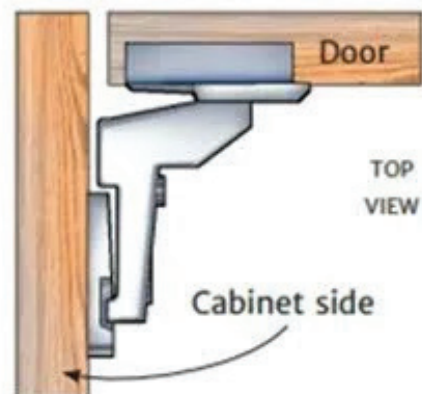
Full Overlay



Half Overlay Cabinet



Inset Cabinet



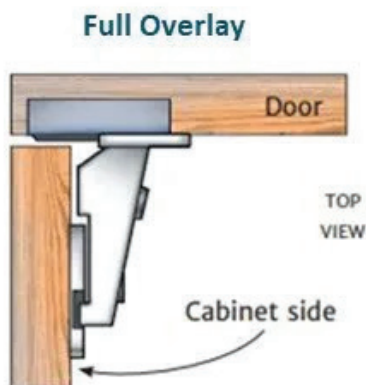
- SGS Certified
- Stable quality with good SS Material
- Double nickel plating, Salt spray Test: 48 Hrs.
- 3 way Adjustment for Easy installation
- Heat treated screw for longer service life, closing time 30,000
- Various Weights(103gram-118gram) caps available

Opening Angle	:110 degree
Material	: Stainless steel
Dia of hinge cup	: 35 mm
Depth of hinge cup	: 11.3
Net weight	: 105 g
Fixing Plate	: 4 Whole available

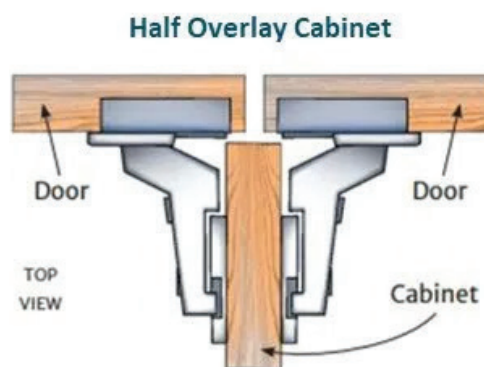
TFCH106-35MM 3D HYDRAULIC SOFT CLOSING HINGE, CLIP ON



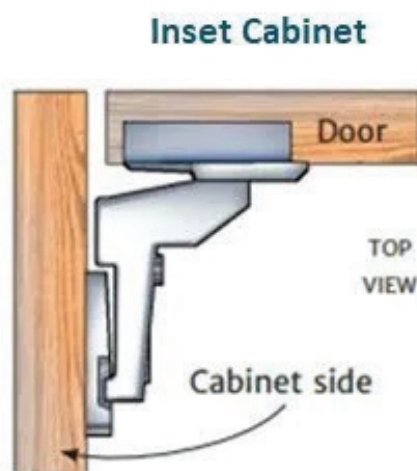
**TFCH106-3D-A
FULL OVERLAY**



**TFCH106-3D-B
HALF OVERLAY**



**TFCH106-3D-C
INSET**



- SGS Certified
- Stable quality with good SS Material
- Double nickel plating, Salt spray Test: 48 Hrs.
- 3 way Adjustment for Easy installation
- Heat treated screw for longer service life, closing time 30,000
- Various Weights(103gram-118gram) caps available

Opening Angle	: 110 degree
Material	: Stainless steel
Dia of hinge cup	: 35 mm
Depth of hinge cup	: 11.3
Net weight	: 115 g
Fixing Plate	: 4 Whole available

,TFCH165-HYDRAULIC 165 DEGREE HINGE SOFT CLOSING HINGE CLIP ON



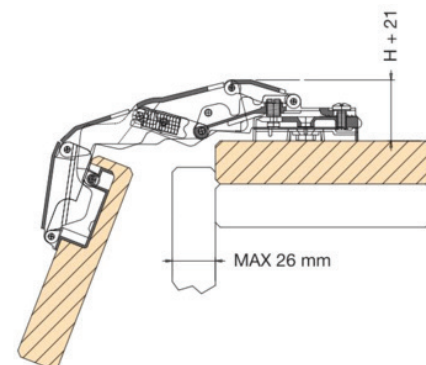
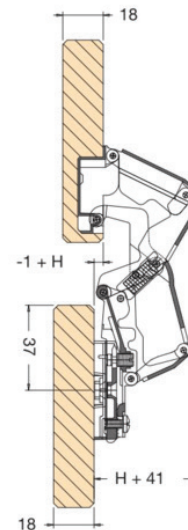
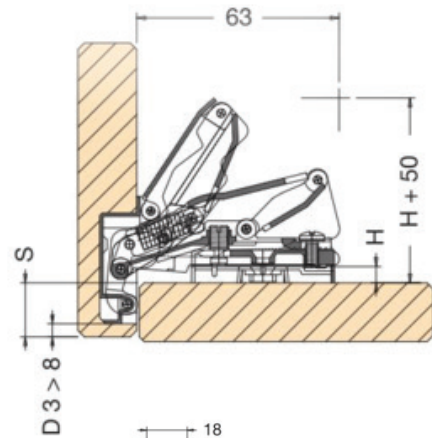
**TFCH-165-A
FULL OVERLAY**



**TFCH-165-B
HALF OVERLAY**



**TFCH-165-C
INSET**



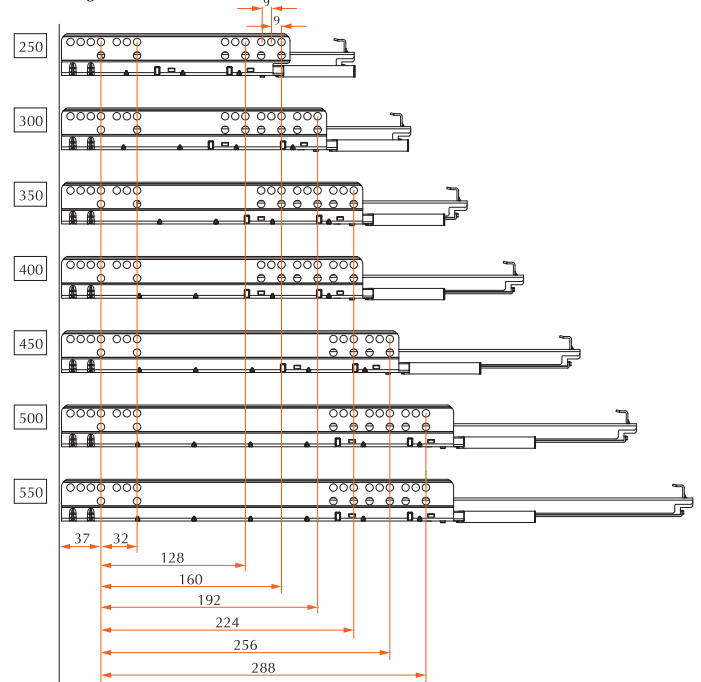
- SGS Certified
- Stable quality with good SS Material
- Double nickel plating, Salt spray Test: 48 Hrs.
- 3 way Adjustment for Easy installation
- Heat treated screw for longer service life, closing time 30,000
- Various Weights(103gram-118gram) caps available

Opening degree	: 165
Diameter of Hinge cup	: 0.35
Depth of Hinge	: 11.3mm
Range of door thickness	: 14-25mm
Material	: Cold rolled steel
Net weight	: 170 g
Fixing Plate	: 4 Whole available

TFU3D-SC- UNDER MOUNT SLIDE FULL EXTENSION SOFT CLOSING



Slides fixing dimensions



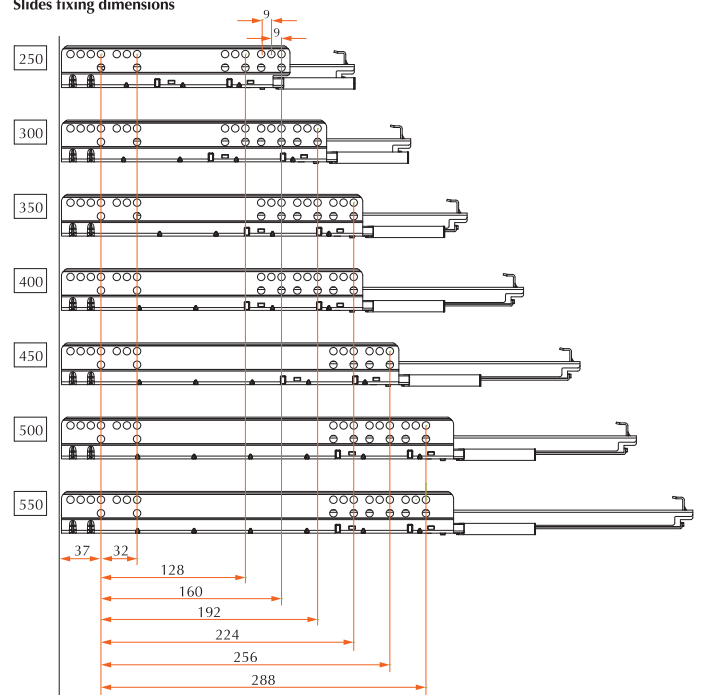
Length	: 250-600mm
Maximum Load	: 35kg
Material	: Cold rolled steel
Surface treatment	: SS plated
Material Thickness	: 1.8" 1.4" 10
Lock	: 3D lockings

Model Number	Description	Size(mm)
TFU3D-SC-14	Under Mount Drawer Slide - Full Extension Soft closing with 3D Lock, 1.8"1.4"10 load capacity=30-35 kg	350
TFU3D-SC-16	Under Mount Drawer Slide - Full Extension Soft closing with 3D Lock, 1.8"1.4"10 load capacity=30-35 kg	400
TFU3D-SC-18	Under Mount Drawer Slide - Full Extension Soft closing with 3D Lock, 1.8"1.4"10 load capacity=30-35 kg	450
TFU3D-SC-20	Under Mount Drawer Slide - Full Extension Soft closing with 3D Lock, 1.8"1.4"10 load capacity=30-35 kg	500
TFU3D-SC-22	Under Mount Drawer Slide - Full Extension Soft closing with 3D Lock, 1.8"1.4"10 load capacity=30-35 kg	550
TFU3D-SC-24	Under Mount Drawer Slide - Full Extension Soft closing with 3D Lock, 1.8"1.4"10 load capacity=30-35 kg	600

TFU3D-PO- UNDER MOUNT SLIDE FULL EXTENSION PUSH TO OPEN



Slides fixing dimensions



Length	: 250-600mm
Maximum Load	: 35kg
Material	: Cold rolled steel
Surface treatment	: SS plated
Material Thickness	: 1.8" 1.4" 10
Drawer Height Adjustment	: 0-4mm

Model Number	Description	Size(mm)
TFU3D-PO-14	Under Mount Drawer Slide - Full Extension Push to open with 3D Lock, 1.8"1.4"10 load capacity=30-35 kg	350
TFU3D-PO-16	Under Mount Drawer Slide - Full Extension Push to open with 3D Lock, 1.8"1.4"10 load capacity=30-35 kg	400
TFU3D-PO-18	Under Mount Drawer Slide - Full Extension Push to open with 3D Lock, 1.8"1.4"10 load capacity=30-35 kg	450
TFU3D-PO-20	Under Mount Drawer Slide - Full Extension Push to open with 3D Lock, 1.8"1.4"10 load capacity=30-35 kg	500
TFU3D-PO-22	Under Mount Drawer Slide - Full Extension Push to open with 3D Lock, 1.8"1.4"10 load capacity=30-35 kg	550
TFU3D-PO-24	Under Mount Drawer Slide - Full Extension Push to open with 3D Lock, 1.8"1.4"10 load capacity=30-35 kg	600